

# LM4861 Boomer® Audio Power Amplifier Series

## 1.1W Audio Power Amplifier with Shutdown Mode

### General Description

The LM4861 is a bridge-connected audio power amplifier capable of delivering 1.1W of continuous average power to an 8Ω load with 1% THD+N using a 5V power supply.

Boomer audio power amplifiers were designed specifically to provide high quality output power with a minimal amount of external components using surface mount packaging. Since the LM4861 does not require output coupling capacitors, bootstrap capacitors, or snubber networks, it is optimally suited for low-power portable systems.

The LM4861 features an externally controlled, low-power consumption shutdown mode, as well as an internal thermal shutdown protection mechanism.

The unity-gain stable LM4861 can be configured by external gain-setting resistors for differential gains of up to 10 without the use of external compensation components. Higher gains may be achieved with suitable compensation.

### Key Specifications

■ THD+N for 1kHz at 1W continuous average output power into 8Ω	1.0% (max)
■ Output power at 10% THD+N at 1kHz into 8Ω	1.5W (typ)
■ Shutdown Current	0.6μA (typ)

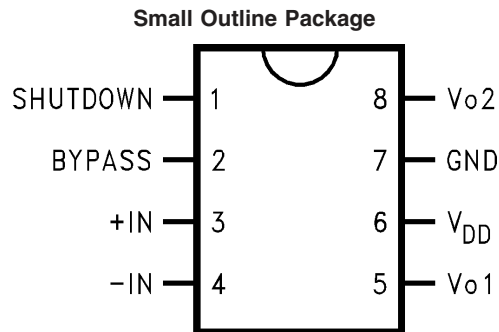
### Features

- No output coupling capacitors, bootstrap capacitors, or snubber circuits are necessary
- Small Outline (SO) packaging
- Compatible with PC power supplies
- Thermal shutdown protection circuitry
- Unity-gain stable
- External gain configuration capability

### Applications

- Personal computers
- Portable consumer products
- Self-powered speakers
- Toys and games

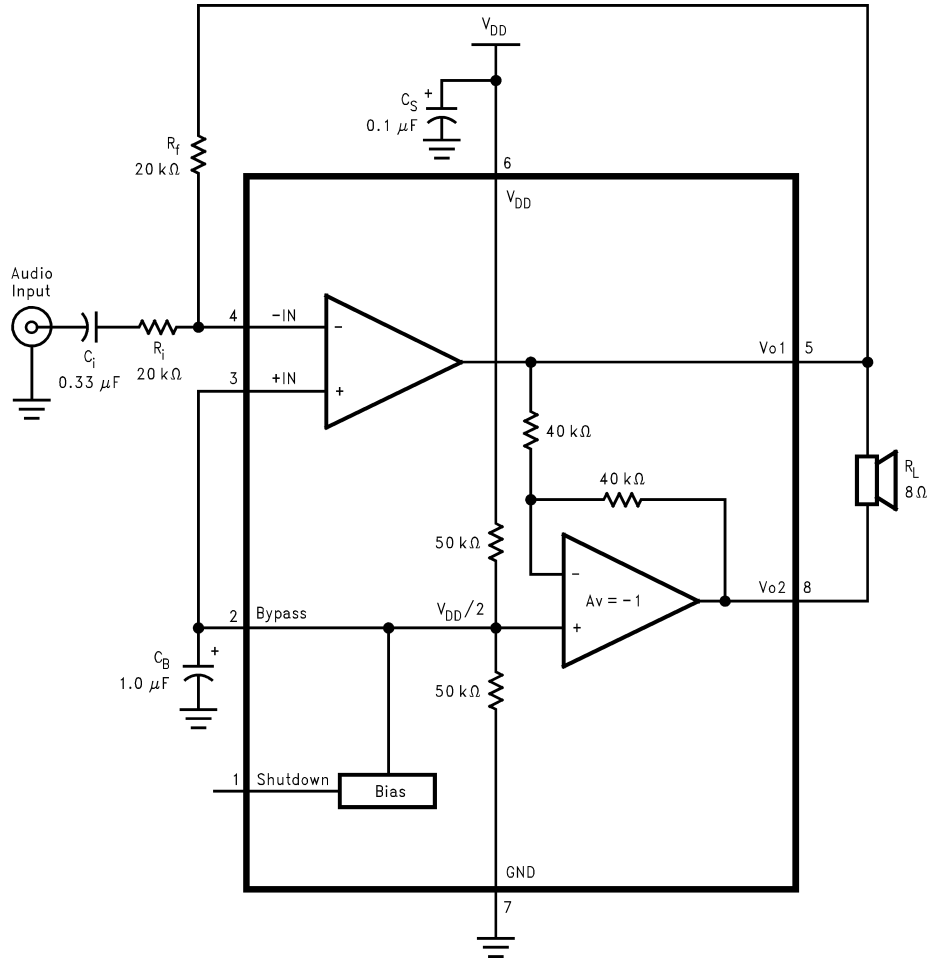
### Connection Diagram



01198602

**Top View**  
**Order Number LM4861M**  
**See NS Package Number M08A**

# Typical Application



01198601

FIGURE 1. Typical Audio Amplifier Application Circuit

## Absolute Maximum Ratings (Note 2)

If Military/Aerospace specified devices are required, please contact the National Semiconductor Sales Office/Distributors for availability and specifications.

Supply Voltage	6.0V
Storage Temperature	-65°C to +150°C
Input Voltage	-0.3V to $V_{DD} + 0.3V$
Power Dissipation (Note 3)	Internally limited
ESD Susceptibility (Note 4)	3000V
ESD Susceptibility (Note 5)	250V
Junction Temperature	150°C
Soldering Information	
Small Outline Package	
Vapor Phase (60 sec.)	215°C
Infrared (15 sec.)	220°C

See AN-450 "Surface Mounting and their Effects on Product Reliability" for other methods of soldering surface mount devices.

## Operating Ratings

Temperature Range	$T_{MIN} \leq T_A \leq T_{MAX}$	$-40^\circ\text{C} \leq T_A \leq +85^\circ\text{C}$
Supply Voltage		$2.0V \leq V_{DD} \leq 5.5V$
Thermal Resistance		
$\theta_{JC}$ (typ) — M08A		35°C/W
$\theta_{JA}$ (typ) — M08A		140°C/W
$\theta_{JC}$ (typ) — N08E		37°C/W
$\theta_{JA}$ (typ) — N08E		107°C/W

## Electrical Characteristics (Note 1) (Note 2)

The following specifications apply for  $V_{DD} = 5V$ , unless otherwise specified. Limits apply for  $T_A = 25^\circ\text{C}$ .

Symbol	Parameter	Conditions	LM4861		Units (Limits)
			Typical (Note 6)	Limit (Note 7)	
$V_{DD}$	Supply Voltage			2.0 5.5	V (min) V (max)
$I_{DD}$	Quiescent Power Supply Current	$V_{IN} = 0V, I_O = 0A$ (Note 8)	6.5	10.0	mA (max)
$I_{SD}$	Shutdown Current	$V_{pin1} = V_{DD}$	0.6	10.0	$\mu\text{A}$ (max)
$V_{OS}$	Output Offset Voltage	$V_{IN} = 0V$	5.0	50.0	mV (max)
$P_O$	Output Power	THD = 1% (max); $f = 1\text{ kHz}$	1.1	1.0	W (min)
THD+N	Total Harmonic Distortion + Noise	$P_O = 1W_{rms}; 20\text{ Hz} \leq f \leq 20\text{ kHz}$	0.72		%
PSRR	Power Supply Rejection Ratio	$V_{DD} = 4.9V$ to $5.1V$	65		dB

**Note 1:** All voltages are measured with respect to the ground pin, unless otherwise specified.

**Note 2:** Absolute Maximum Ratings indicate limits beyond which damage to the device may occur. Operating Ratings indicate conditions for which the device is functional, but do not guarantee specific performance limits. Electrical Characteristics state DC and AC electrical specifications under particular test conditions which guarantee specific performance limits. This assumes that the device is within the Operating Ratings. Specifications are not guaranteed for parameters where no limit is given, however, the typical value is a good indication of device performance.

**Note 3:** The maximum power dissipation must be derated at elevated temperatures and is dictated by  $T_{JMAX}$ ,  $\theta_{JA}$ , and the ambient temperature  $T_A$ . The maximum allowable power dissipation is  $P_{DMAX} = (T_{JMAX} - T_A)/\theta_{JA}$  or the number given in the Absolute Maximum Ratings, whichever is lower. For the LM4861,  $T_{JMAX} = 150^\circ\text{C}$ , and the typical junction-to-ambient thermal resistance, when board mounted, is  $140^\circ\text{C/W}$ .

**Note 4:** Human body model, 100pF discharged through a 1.5k $\Omega$  resistor.

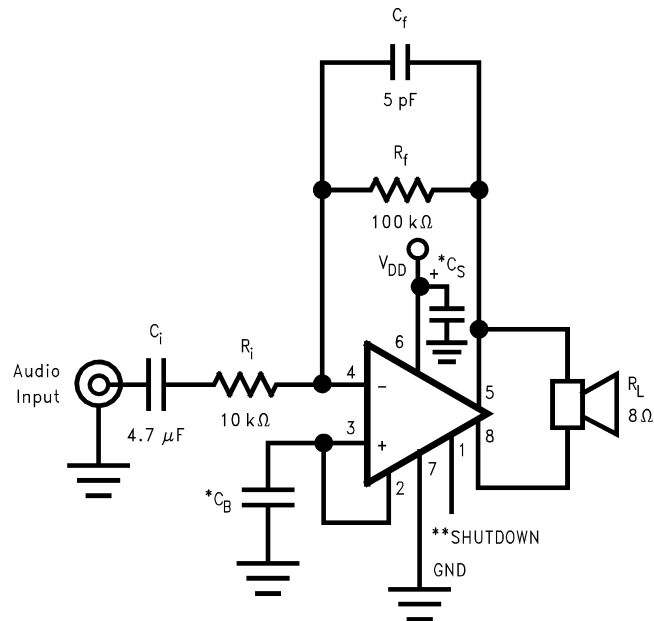
**Note 5:** Machine Model, 220pF–240pF discharged through all pins.

**Note 6:** Typicals are measured at  $25^\circ\text{C}$  and represent the parametric norm.

**Note 7:** Limits are guaranteed to National's AOQL (Average Outgoing Quality Level).

**Note 8:** The quiescent power supply current depends on the offset voltage when a practical load is connected to the amplifier.

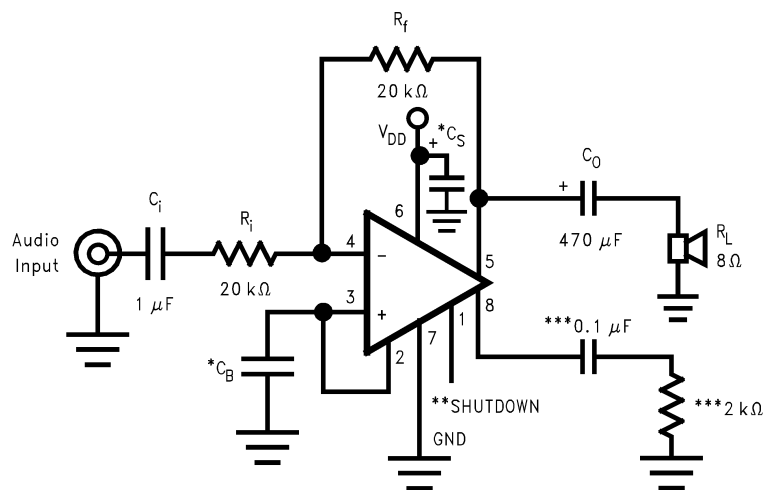
## High Gain Application Circuit



01198603

FIGURE 2. Audio Amplifier with  $A_{VD} = 20$

## Single Ended Application Circuit



01198604

\* $C_S$  and  $C_B$  size depend on specific application requirements and constraints. Typical values of  $C_S$  and  $C_B$  are 0.1  $\mu\text{F}$ .

\*\*Pin 1 should be connected to  $V_{DD}$  to disable the amplifier or to GND to enable the amplifier. This pin should not be left floating.

\*\*\*These components create a "dummy" load for pin 8 for stability purposes.

FIGURE 3. Single-Ended Amplifier with  $A_V = -1$

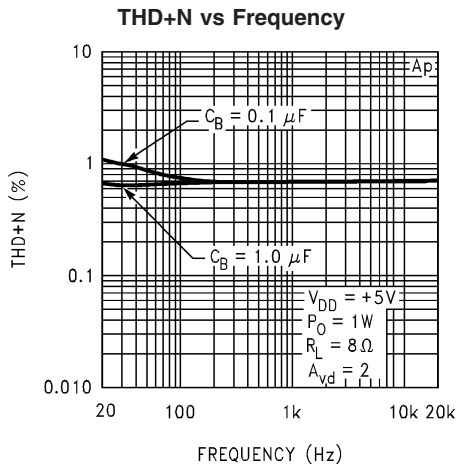
# External Components Description

(Figures 1, 2)

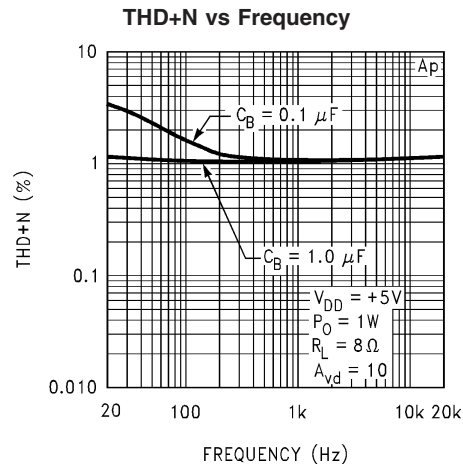
Components	Functional Description
1. $R_i$	Inverting input resistance which sets the closed-loop gain in conjunction with $R_f$ . This resistor also forms a high pass filter with $C_i$ at $f_C = 1 / (2\pi R_i C_i)$ .
2. $C_i$	Input coupling capacitor which blocks DC voltage at the amplifier's input terminals. Also creates a highpass filter with $R_i$ at $f_C = 1 / (2\pi R_i C_i)$ .
3. $R_f$	Feedback resistance which sets closed-loop gain in conjunction with $R_i$ .
4. $C_S$	Supply bypass capacitor which provides power supply filtering. Refer to the <b>Application Information</b> section for proper placement and selection of supply bypass capacitor.
5. $C_B$	Bypass pin capacitor which provides half supply filtering. Refer to the <b>Application Information</b> section for proper placement and selection of bypass capacitor.
6. $C_f$ (Note 9)	$C_f$ in conjunction with $R_f$ creates a low-pass filter which bandwidth limits the amplifier and prevents possible high frequency oscillation bursts. $f_C = 1 / (2\pi R_f C_f)$

**Note 9:** Optional component dependent upon specific design requirements. Refer to the **Application Information** section for more information.

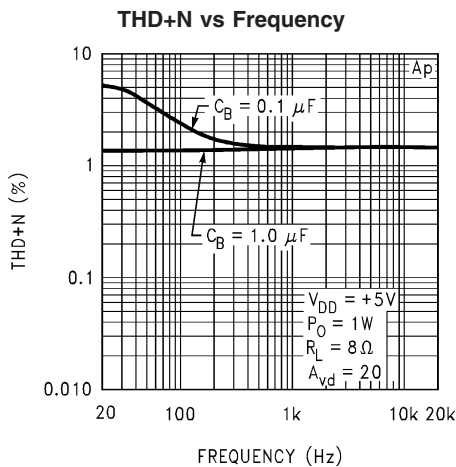
## Typical Performance Characteristics



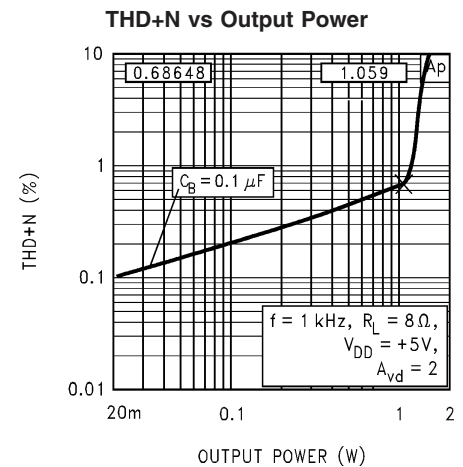
01198605



01198606

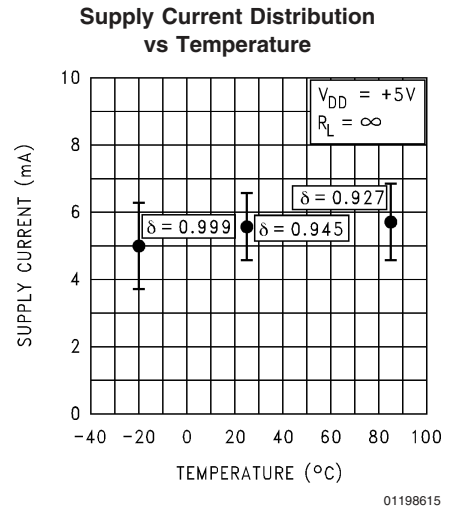
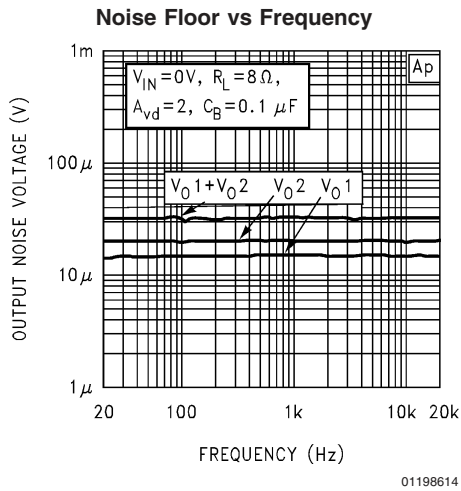
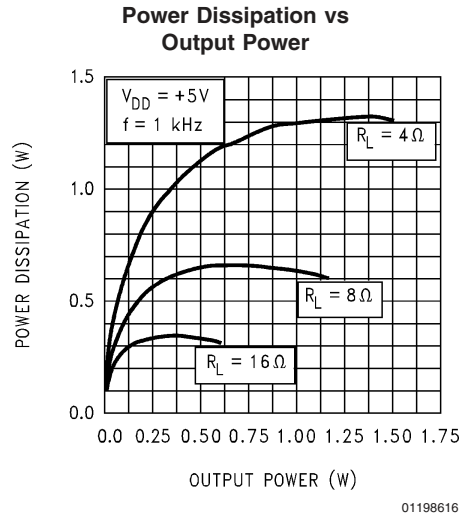
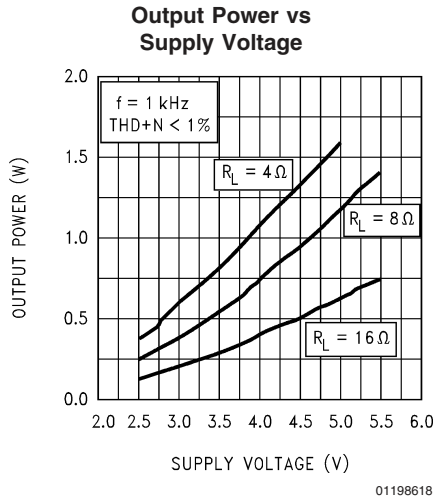
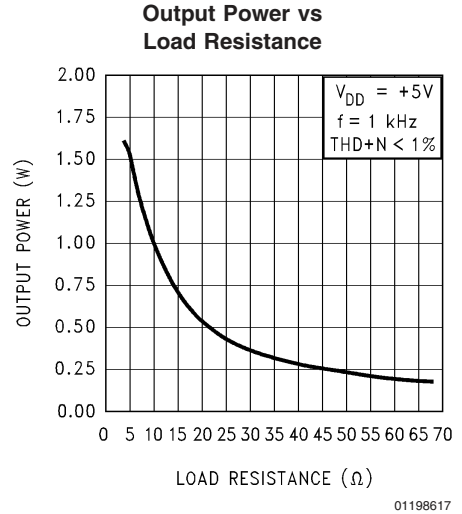
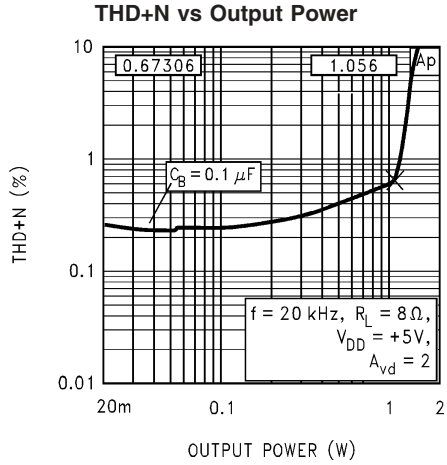


01198607



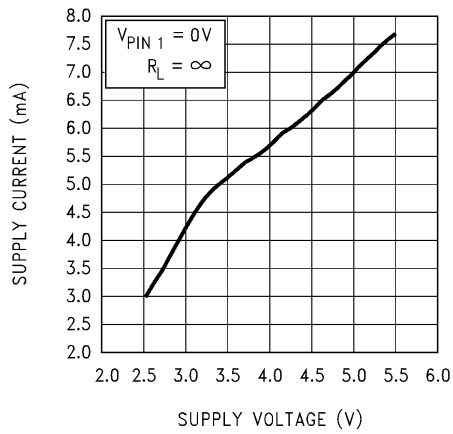
01198609

Typical Performance Characteristics (Continued)



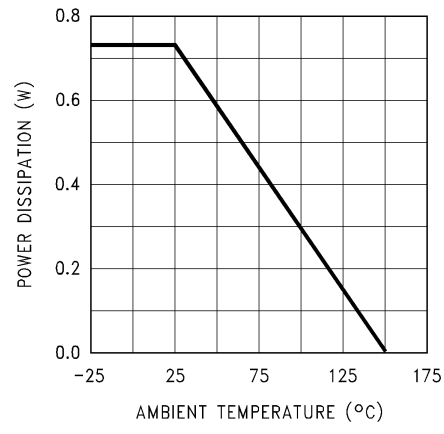
Typical Performance Characteristics (Continued)

Supply Current vs Supply Voltage



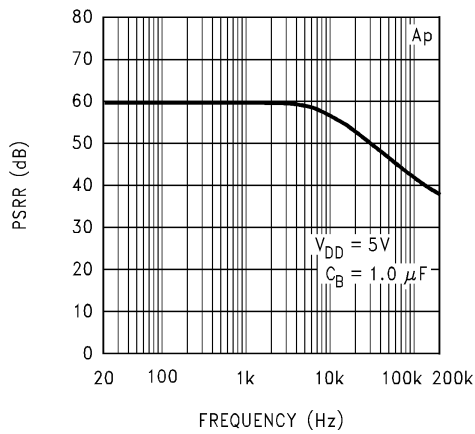
01198612

Power Derating Curve



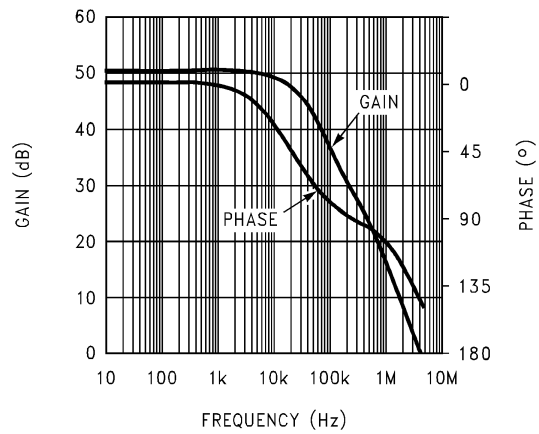
01198613

Power Supply Rejection Ratio



01198620

Open Loop Frequency Response



01198619

## Application Information

### BRIDGE CONFIGURATION EXPLANATION

As shown in *Figure 1*, the LM4861 has two operational amplifiers internally, allowing for a few different amplifier configurations. The first amplifier's gain is externally configurable, while the second amplifier is internally fixed in a unity-gain, inverting configuration. The closed-loop gain of the first amplifier is set by selecting the ratio of  $R_f$  to  $R_i$  while the second amplifier's gain is fixed by the two internal 40k $\Omega$  resistors. *Figure 1* shows that the output of amplifier one serves as the input to amplifier two which results in both amplifiers producing signals identical in magnitude, but out of phase 180°. Consequently, the differential gain for the IC is:

$$A_{vd} = 2 * (R_f / R_i)$$

By driving the load differentially through outputs  $V_{O1}$  and  $V_{O2}$ , an amplifier configuration commonly referred to as "bridged mode" is established. Bridged mode operation is different from the classical single-ended amplifier configuration where one side of its load is connected to ground.

A bridge amplifier design has a few distinct advantages over the single-ended configuration, as it provides differential drive to the load, thus doubling output swing for a specified supply voltage. Consequently, four times the output power is possible as compared to a single-ended amplifier under the same conditions. This increase in attainable output power assumes that the amplifier is not current limited or clipped. In order to choose an amplifier's closed-loop gain without causing excessive clipping which will damage high frequency transducers used in loudspeaker systems, please refer to the **Audio Power Amplifier Design** section.

A bridge configuration, such as the one used in Boomer Audio Power Amplifiers, also creates a second advantage over single-ended amplifiers. Since the differential outputs,  $V_{O1}$  and  $V_{O2}$ , are biased at half-supply, no net DC voltage exists across the load. This eliminates the need for an output coupling capacitor which is required in a single supply, single-ended amplifier configuration. Without an output coupling capacitor in a single supply, single-ended amplifier, the half-supply bias across the load would result in both increased internal IC power dissipation and also permanent loudspeaker damage. An output coupling capacitor forms a high pass filter with the load requiring that a large value such as 470 $\mu$ F be used with an 8 $\Omega$  load to preserve low frequency response. This combination does not produce a flat response down to 20Hz, but does offer a compromise between printed circuit board size and system cost, versus low frequency response.

### POWER DISSIPATION

Power dissipation is a major concern when designing a successful amplifier, whether the amplifier is bridged or single-ended. A direct consequence of the increased power delivered to the load by a bridge amplifier is an increase in internal power dissipation. Equation 1 states the maximum power dissipation point for a bridge amplifier operating at a given supply voltage and driving a specified output load.

$$P_{DMAX} = 4*(V_{DD})^2 / (2\pi^2 R_L) \quad (1)$$

Since the LM4861 has two operational amplifiers in one package, the maximum internal power dissipation is 4 times that of a single-ended amplifier. Even with this substantial increase in power dissipation, the LM4861 does not require heatsinking. From Equation 1, assuming a 5V power supply and an 8 $\Omega$  load, the maximum power dissipation point is

625mW. The maximum power dissipation point obtained from Equation 1 must not be greater than the power dissipation that results from Equation 2:

$$P_{DMAX} = (T_{JMAX} - T_A) / \theta_{JA} \quad (2)$$

For the LM4861 surface mount package,  $\theta_{JA} = 140^\circ\text{C/W}$  and  $T_{JMAX} = 150^\circ\text{C}$ . Depending on the ambient temperature,  $T_A$ , of the system surroundings, Equation 2 can be used to find the maximum internal power dissipation supported by the IC packaging. If the result of Equation 1 is greater than that of Equation 2, then either the supply voltage must be decreased or the load impedance increased. For the typical application of a 5V power supply, with an 8 $\Omega$  load, the maximum ambient temperature possible without violating the maximum junction temperature is approximately 62.5 $^\circ\text{C}$  provided that device operation is around the maximum power dissipation point. Power dissipation is a function of output power and thus, if typical operation is not around the maximum power dissipation point, the ambient temperature can be increased. Refer to the **Typical Performance Characteristics** curves for power dissipation information for lower output powers.

### POWER SUPPLY BYPASSING

As with any power amplifier, proper supply bypassing is critical for low noise performance and high power supply rejection. The capacitor location on both the bypass and power supply pins should be as close to the device as possible. As displayed in the **Typical Performance Characteristics** section, the effect of a larger half supply bypass capacitor is improved low frequency THD+N due to increased half-supply stability. Typical applications employ a 5V regulator with 10 $\mu$ F and a 0.1 $\mu$ F bypass capacitors which aid in supply stability, but do not eliminate the need for bypassing the supply nodes of the LM4861. The selection of bypass capacitors, especially  $C_B$ , is thus dependant upon desired low frequency THD+N, system cost, and size constraints.

### SHUTDOWN FUNCTION

In order to reduce power consumption while not in use, the LM4861 contains a shutdown pin to externally turn off the amplifier's bias circuitry. The shutdown feature turns the amplifier off when a logic high is placed on the shutdown pin. Upon going into shutdown, the output is immediately disconnected from the speaker. A typical quiescent current of 0.6 $\mu$ A results when the supply voltage is applied to the shutdown pin. In many applications, a microcontroller or microprocessor output is used to control the shutdown circuitry which provides a quick, smooth transition into shutdown. Another solution is to use a single-pole, single-throw switch that when closed, is connected to ground and enables the amplifier. If the switch is open, then a soft pull-up resistor of 47k $\Omega$  will disable the LM4861. There are no soft pull-down resistors inside the LM4861, so a definite shutdown pin voltage must be applied externally, or the internal logic gate will be left floating which could disable the amplifier unexpectedly.

### HIGHER GAIN AUDIO AMPLIFIER

The LM4861 is unity-gain stable and requires no external components besides gain-setting resistors, an input coupling capacitor, and proper supply bypassing in the typical application. However, if a closed-loop differential gain of greater than 10 is required, a feedback capacitor may be needed, as shown in *Figure 2*, to bandwidth limit the amplifier. This feedback capacitor creates a low pass filter that eliminates



## Application Information (Continued)

possible high frequency oscillations. Care should be taken when calculating the  $-3\text{dB}$  frequency in that an incorrect combination of  $R_f$  and  $C_f$  will cause rolloff before  $20\text{kHz}$ . A typical combination of feedback resistor and capacitor that will not produce audio band high frequency rolloff is  $R_f = 100\text{k}\Omega$  and  $C_f = 5\text{pF}$ . These components result in a  $-3\text{dB}$  point of approximately  $320\text{kHz}$ . Once the differential gain of the amplifier has been calculated, a choice of  $R_f$  will result, and  $C_f$  can then be calculated from the formula stated in the **External Components Description** section.

### VOICE-BAND AUDIO AMPLIFIER

Many applications, such as telephony, only require a voice-band frequency response. Such an application usually requires a flat frequency response from  $300\text{Hz}$  to  $3.5\text{kHz}$ . By adjusting the component values of *Figure 2*, this common application requirement can be implemented. The combination of  $R_i$  and  $C_i$  form a highpass filter while  $R_f$  and  $C_f$  form a lowpass filter. Using the typical voice-band frequency range, with a passband differential gain of approximately 100, the following values of  $R_i$ ,  $C_i$ ,  $R_f$ , and  $C_f$  follow from the equations stated in the **External Components Description** section.

$$R_i = 10\text{k}\Omega, R_f = 510\text{k}\Omega, C_i = 0.22\mu\text{F}, \text{ and } C_f = 15\text{pF}$$

Five times away from a  $-3\text{dB}$  point is  $0.17\text{dB}$  down from the flatband response. With this selection of components, the resulting  $-3\text{dB}$  points,  $f_L$  and  $f_H$ , are  $72\text{Hz}$  and  $20\text{kHz}$ , respectively, resulting in a flatband frequency response of better than  $\pm 0.25\text{dB}$  with a rolloff of  $6\text{dB/octave}$  outside of the passband. If a steeper rolloff is required, other common bandpass filtering techniques can be used to achieve higher order filters.

### SINGLE-ENDED AUDIO AMPLIFIER

Although the typical application for the LM4861 is a bridged monoaural amp, it can also be used to drive a load single-endedly in applications, such as PC cards, which require that one side of the load is tied to ground. *Figure 3* shows a common single-ended application, where  $V_{O1}$  is used to drive the speaker. This output is coupled through a  $470\mu\text{F}$  capacitor, which blocks the half-supply DC bias that exists in all single-supply amplifier configurations. This capacitor, designated  $C_O$  in *Figure 3*, in conjunction with  $R_L$ , forms a highpass filter. The  $-3\text{dB}$  point of this high pass filter is  $1/(2\pi R_L C_O)$ , so care should be taken to make sure that the product of  $R_L$  and  $C_O$  is large enough to pass low frequencies to the load. When driving an  $8\Omega$  load, and if a full audio spectrum reproduction is required,  $C_O$  should be at least  $470\mu\text{F}$ .  $V_{O2}$ , the output that is not used, is connected through a  $0.1\mu\text{F}$  capacitor to a  $2\text{k}\Omega$  load to prevent instability. While such an instability will not affect the waveform of  $V_{O1}$ , it is good design practice to load the second output.

## AUDIO POWER AMPLIFIER DESIGN

### Design a 1W / $8\Omega$ Audio Amplifier

Given:

Power Output	1 Wrms
Load Impedance	$8\Omega$
Input Level	1 Wrms
Input Impedance	$20\text{ k}\Omega$
Bandwidth	$100\text{ Hz} - 20\text{ kHz} \pm 0.25\text{ dB}$

A designer must first determine the needed supply rail to obtain the specified output power. By extrapolating from the Output Power vs Supply Voltage graph in the **Typical Performance Characteristics** section, the supply rail can be easily found. A second way to determine the minimum supply rail is to calculate the required  $V_{\text{opeak}}$  using Equation 3 and add the dropout voltage. Using this method, the minimum supply voltage would be  $(V_{\text{opeak}} + V_{\text{OD}})$ , where  $V_{\text{OD}}$  is typically  $0.6\text{V}$ .

$$V_{\text{opeak}} = \sqrt{(2R_L P_O)} \quad (3)$$

For  $1\text{W}$  of output power into an  $8\Omega$  load, the required  $V_{\text{opeak}}$  is  $4.0\text{V}$ . A minimum supply rail of  $4.6\text{V}$  results from adding  $V_{\text{opeak}}$  and  $V_{\text{od}}$ . But  $4.6\text{V}$  is not a standard voltage that exists in many applications and for this reason, a supply rail of  $5\text{V}$  is designated. Extra supply voltage creates dynamic headroom that allows the LM4861 to reproduce peaks in excess of  $1\text{W}$  without clipping the signal. At this time, the designer must make sure that the power supply choice along with the output impedance does not violate the conditions explained in the **Power Dissipation** section.

Once the power dissipation equations have been addressed, the required differential gain can be determined from Equation 4.

$$A_{VD} \geq \sqrt{(P_O R_L)} / (V_{IN}) = V_{\text{orms}} / V_{\text{inrms}} \quad (4)$$

$$R_f / R_i = A_{VD} / 2 \quad (5)$$

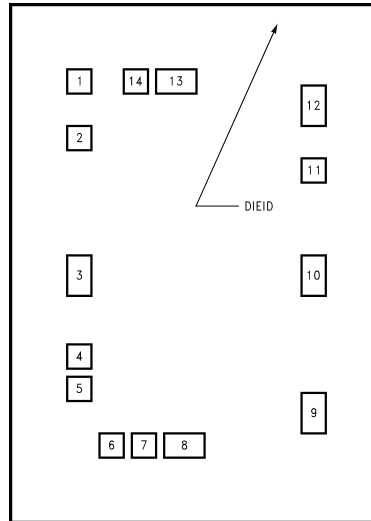
From equation 4, the minimum  $A_{VD}$  is  $2.83$ :  $A_{VD} = 3$

Since the desired input impedance was  $20\text{k}\Omega$ , and with a  $A_{VD}$  of 3, a ratio of 1:1.5 of  $R_f$  to  $R_i$  results in an allocation of  $R_i = 20\text{k}\Omega$ ,  $R_f = 30\text{k}\Omega$ . The final design step is to address the bandwidth requirements which must be stated as a pair of  $-3\text{dB}$  frequency points. Five times away from a  $-3\text{dB}$  point is  $0.17\text{dB}$  down from passband response which is better than the required  $\pm 0.25\text{dB}$  specified. This fact results in a low and high frequency pole of  $20\text{Hz}$  and  $100\text{kHz}$  respectively. As stated in the **External Components** section,  $R_i$  in conjunction with  $C_i$  create a highpass filter.

$$C_i \geq 1 / (2\pi * 20\text{k}\Omega * 20\text{Hz}) = 0.397\mu\text{F}; \text{ use } 0.39\mu\text{F}.$$

The high frequency pole is determined by the product of the desired high frequency pole,  $f_H$ , and the differential gain,  $A_{VD}$ . With a  $A_{VD} = 2$  and  $f_H = 100\text{kHz}$ , the resulting GBWP =  $100\text{kHz}$  which is much smaller than the LM4861 GBWP of  $4\text{MHz}$ . This figure displays that if a designer has a need to design an amplifier with a higher differential gain, the LM4861 can still be used without running into bandwidth problems.

## LM4861 MDA MWA 1.1W Audio Power Amplifier with Shutdown Mode



01198626

Die Layout (B - Step)

### DIE/WAFER CHARACTERISTICS

Fabrication Attributes		General Die Information	
Physical Die Identification	LM4861B	Bond Pad Opening Size (min)	83 $\mu$ m x 83 $\mu$ m
Die Step	B	Bond Pad Metalization	ALUMINUM
Physical Attributes		Passivation	VOM NITRIDE
Wafer Diameter	150mm	Back Side Metal	BARE BACK
Disc Size (Drawn)	1372 $\mu$ m x 2032 $\mu$ m 54.0mils x 80.0mils	Back Side Connection	GND
Thickness	406 $\mu$ m Nominal		
Min Pitch	108 $\mu$ m Nominal		

#### Special Assembly Requirements:

**Note: Actual die size is rounded to the nearest micron.**

#### Die Bond Pad Coordinate Locations (B - Step)

(Referenced to die center, coordinates in  $\mu$ m) NC = No Connection, N.U. = Not Used

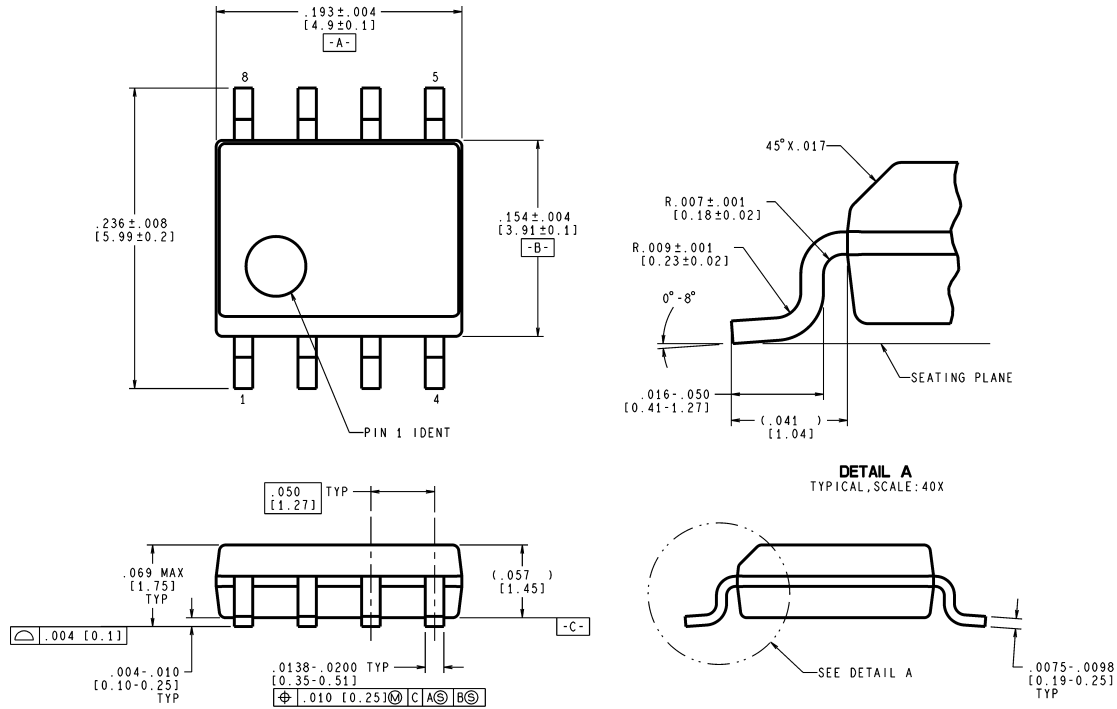
SIGNAL NAME	PAD# NUMBER	X/Y COORDINATES		PAD SIZE		
		X	Y	X		Y
SHUTDOWN	1	-425	710	83	x	83
BYPASS	2	-445	499	83	x	83
NC	3	-445	-34	83	x	170
NC	4	-445	-383	83	x	83
INPUT +	5	-445	-492	83	x	83
INPUT -	6	-352	-710	83	x	83
GND	7	-243	-710	83	x	83
Vo1	8	-91	-710	170	x	83
GND	9	445	-574	83	x	170
VDD	10	445	-2	83	x	170
NC	11	445	387	83	x	83
GND	12	445	633	83	x	170
Vo2	13	-63	710	170	x	83
GND	14	-215	710	83	x	83

**LM4861 MDA MWA****1.1W Audio Power Amplifier with Shutdown Mode** (Continued)

<b>IN U.S.A</b>	
Tel #:	1 877 Dial Die 1 877 342 5343
Fax:	1 207 541 6140
<b>IN EUROPE</b>	
Tel:	49 (0) 8141 351492 / 1495
Fax:	49 (0) 8141 351470
<b>IN ASIA PACIFIC</b>	
Tel:	(852) 27371701
<b>IN JAPAN</b>	
Tel:	81 043 299 2308

## Physical Dimensions inches (millimeters)

unless otherwise noted



**CONTROLLING DIMENSION IS INCH  
VALUES IN ( ) ARE MILLIMETERS**

M08A (Rev J)

**8-Lead (0.150" Wide) Molded Small Outline Package, JEDEC (M)  
Order Number LM4861  
NS Package Number M08A**

### LIFE SUPPORT POLICY

NATIONAL'S PRODUCTS ARE NOT AUTHORIZED FOR USE AS CRITICAL COMPONENTS IN LIFE SUPPORT DEVICES OR SYSTEMS WITHOUT THE EXPRESS WRITTEN APPROVAL OF THE PRESIDENT AND GENERAL COUNSEL OF NATIONAL SEMICONDUCTOR CORPORATION. As used herein:

1. Life support devices or systems are devices or systems which, (a) are intended for surgical implant into the body, or (b) support or sustain life, and whose failure to perform when properly used in accordance with instructions for use provided in the labeling, can be reasonably expected to result in a significant injury to the user.
2. A critical component is any component of a life support device or system whose failure to perform can be reasonably expected to cause the failure of the life support device or system, or to affect its safety or effectiveness.



**National Semiconductor**  
Americas Customer  
Support Center  
Email: new.feedback@nsc.com  
Tel: 1-800-272-9959

**National Semiconductor**  
Europe Customer Support Center  
Fax: +49 (0) 180-530 85 86  
Email: europe.support@nsc.com  
Deutsch Tel: +49 (0) 69 9508 6208  
English Tel: +44 (0) 870 24 0 2171  
Français Tel: +33 (0) 1 41 91 8790

**National Semiconductor**  
Asia Pacific Customer  
Support Center  
Fax: 65-6250 4466  
Email: ap.support@nsc.com  
Tel: 65-6254 4466

**National Semiconductor**  
Japan Customer Support Center  
Fax: 81-3-5639-7507  
Email: nsj.crc@jksmtp.nsc.com  
Tel: 81-3-5639-7560

www.national.com